

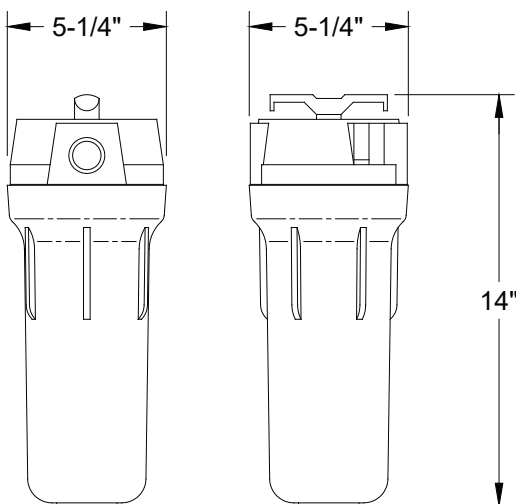


## 10" Standard Clear Valve-in-Head Housing Whole Home Filtration System

The North Star NSV200T 10" Standard Clear Valve-in-Head Housing is the strong, economical choice for residential homes. With multiple filter options and NSF certified performance, this system can reduce chlorine taste & odor for better-tasting water and sediment to protect the home. North Star's 100 years of expertise in water treatment will ensure top-notch performance and a responsive, U.S.-based customer service team- will offer reliable assistance for any inquiries or needs.

### FEATURES

- Valve-in-head: No need to turn off water supply for filter changes
- Integrated bypass valve
- Designed for homes with up to 3/4" plumbing
- Compatible with most major brands of universal Standard Capacity whole home filters
- Compatible with North Star filters: NS217, NSF217, NS205, NS225 & NS250 (filter not included)
- Includes: sump wrench, bracket, screws, installation guide



### SPECIFICATIONS

Part Number	7358420
Inlet - Outlet: 3/4"	3/4" FNPT
Operating Temperature	40-100°F / 5-38°C
Operating Pressure	40-100psi / 275-690kPa
Product Dimensions	(H x W) 13.5" x 4.5"
Uses Filter Size (H x W)	10" x 2.5"
NSF Certification (NSF/ANSI Standard)	42 & 372

### WARRANTY

**1 year** parts warranty

# 10" STANDARD CLEAR VALVE-IN-HEAD HOUSING

WHOLE HOME

NSV200T

## 10" STANDARD CAPACITY FILTERS



### NSF Certified

- Under NSF/ANSI 42
- Under NSF/ANSI/CAN 372

**Universal Fit:** Fits most major brands of whole home housings

**Grooved:** Provides more surface area and greater capacity

**Carbon Block:** Improves taste and odor of drinking water

### Premium Carbon with FACT®

- Low pressure drop allows for high flow rate
- High sediment filter - resistant to clogging

### SPECIFICATIONS

Model Number	NS225	NS205	NS217	NSF217
Part Number	7358331	7358323	7358226	7358234
Description	Grooved	Grooved	Carbon Block	Premium Carbon with FACT®
Dimensions	10" x 2.5"	10" x 2.5"	10" x 2.5"	10" x 2.5"
Micron Rating	25	5	5	0.7
Flow Rate (gpm)	9	9	4	5
Max Water Temperature	140°F/60°C	140°F/60°C	100°F/40°C	100°F/40°C
Filter Life	3 Months	3 Months	3 Months	6 Months
Compatible with Systems	NSV200T NS200	NSV200T NS200	NSV200T NS200	NSV200T NS200

### CONTAMINANT REDUCTION

Sediment - Sand, Dirt, Rust	•	•	•	•
Chlorine Taste & Odor			•	•



System tested and certified by NSF International against NSF/ANSI Standards 42.

**FOR MORE INFORMATION**

[www.northstarwater.com](http://www.northstarwater.com)

### ONE YEAR LIMITED WARRANTY ON WHOLE HOME WATER FILTER SYSTEM (except filter cartridges)

Warrantor guarantees, to the original owner, that the Whole Home Water Filter System, when installed and maintained in accordance with the instructions, will be free from defects in materials and workmanship for a period of one (1) year from the date of purchase. If, within the first year, a part proves, after inspection, to be defective, Warrantor will, at its sole option, either replace or repair the part without charge except normal shipping and installation charges. Labor to maintain the equipment is not part of the warranty. Filters, which are expendable, are not covered by the warranty.